



Way of Life!

THE ALL-NEW SUZUKI JIMNY



For more information
or to book a test drive, visit:
cars.suzuki.co.uk/jimny



Fuel economy and CO₂* results for the Jimny 2019 range in mpg (L/100km): Combined from 32.1 (8.8) to 35.8 (7.9). CO₂ emissions: 170 to 154g/km. The fuel consumption you achieve in real life conditions and CO₂ produced will depend upon a number of factors including the accessories fitted (post-registration), variations in weather, driving styles and vehicle load.
*There is a new test used for fuel consumption and CO₂ figures. The CO₂ figure(s) shown, however, is based on the outgoing test cycle and will be used to calculate vehicle tax on first registration.
Only compare fuel consumption and CO₂ figures with other cars tested to the same technical standard. Specifications and equipment vary depending on engine, transmission and model grade. Please contact your local Dealer for full details. All details correct at time of going to print: December 2018. Vehicles shown throughout this brochure are for illustration only and may feature non-UK/ROI equipment. Suzuki GB PLC, Steinbeck Crescent, Snelshall West, Milton Keynes, Bucks MK4 4AE. Suzuki Information Service: 0800 804 8828 (UK) or 01 906 1862 (ROI). Calls may be recorded or monitored.



IT WASN'T

BUILT TO

FOLLOW

DISCOVER NEW FRONTIERS WITH THE ALL-NEW JIMNY

With nearly 50 years of experience, engineering and refining behind it, the all-new Jimny is more capable than ever before.

We've stuck to our classic Jimny concept, so the iconic 4x4 remains compact, lightweight, and capable of tackling the toughest and most remote of terrains. And with the help of our ALLGRIP Pro 4-wheel Drive technology, a powerful 1.5 litre engine and a chassis which has been specially designed for superb off-road capability, the

all-new Jimny has really got what it takes to take you where few other 4x4s can go.

Plus, with our expertly engineered collection of practical touches, including a high ground clearance and ample interior space with a wide tailgate opening, it's prepared for any and every adventure you might have.

So if you want to go places most other 4x4s fear to tread, then get behind the wheel of the all-new Jimny.

ADVENTURE

NEVER LOOKED SO GOOD

THE ALL-NEW JIMNY HAS BEEN CRAFTED FOR ADVENTURE, INSIDE AND OUT.

That's why it's been designed with a range of practical features to help you take on whatever challenges nature has to offer. So whatever the weather, whatever the conditions, the all-new Jimny has what it takes to tackle them.



BONNET CORNERS AND VISIBILITY

The all-new Jimny has been designed with a flat and square bonnet, which lets you keep the front corners in view, offering excellent visibility on uneven terrain. So you'll always be on top of your surroundings.



OPTIMISED BODY DESIGN

The optimised, cutaway bumpers offer outstanding ground clearance at the wheel, ensuring more grip when climbing over obstacles, with moulded black guards protecting the body from stone chips and scratches.

COMPACT DESIGN

With its compact dimensions, the all-new Jimny is small enough to take you places other larger 4x4s can't. Plus it's really light, which helps it get over tough terrain.



PRACTICALLY PERFECT

DESIGNED TO HELP YOU DO THE JOB.

Step inside the all-new Jimny and you'll discover a range of features to help you stay focused on tackling off-road conditions. The steering wheel is leather wrapped* making it tactile and luxurious, and can be vertically adjusted up to 35mm. The meters are always illuminated for clear viewing, night and day.

The advanced touchscreen* lets you easily control the audio and navigation systems, and is compatible with Apple CarPlay, Android Auto™ and MirrorLink™. As you can see, we've done everything to ensure you can enjoy the perfect adventure.

- 1 Ride-in assist grip
- 2 Scratch/stain-resistant instrument panel
- 3 Air conditioning
- 4 Intuitively designed controls
- 5 Smartphone link display with infrared touchscreen*
- 6 Vertically adjustable steering wheel
- 7 Illuminated meter cluster

androidauto | 

*S25 models only.
Apple, Apple CarPlay and iPhone are all trademarks of Apple Inc. Registered in the U.S. and other countries.
Android and Android Auto are trademarks of Google LLC.

TACKLE

TOUGH

TERRAIN

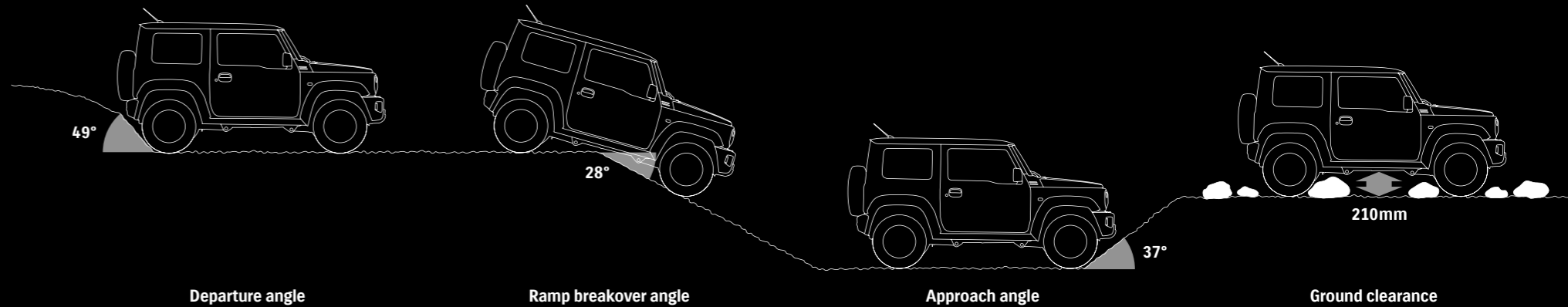


THE CAPABILITY OF THE JIMNY STILL SHINES THROUGH.

There's a reason why, for nearly 50 years, the popularity of the Jimny has grown and grown. And that's because when people think of the Jimny, they think 'capable', they think 'groundbreaking', and they think 'ready to handle all conditions'. The all-new Jimny is no different, sticking to the rugged 4x4 principles that inspired the first model. But don't just take our word for it - have a look at what goes into the all-new Jimny, so you can see what you can get out of it.

AMPLE BODY ANGLES AND CLEARANCE

We don't believe in barriers. Which is why we've designed the all-new Jimny with plenty of ground clearance and angles to help you overcome anything in your way. An ample departure angle, ramp breakover angle, approach angle and ground clearance lets you tackle steep slopes, sharp descents and obstacles without scraping the bumpers or underbody of your all-new Jimny.



ALLGRIP PRO 4WD WITH LOW RANGE TRANSFER GEAR

The all-new Jimny can adapt to difficult conditions at the shift of the transfer lever, thanks to our ALLGRIP Pro 4WD technology. When conditions get tough, switch to 4L mode for maximum torque control and traction. 4H mode lets you enjoy traction at higher speeds, for snowy and flatter off-road terrains. And the 2H mode lets you switch to a smoother, quieter and more fuel-efficient ride for paved roads. See - ready for anything.



RIGID LADDER FRAME

As ever, the all-new Jimny still comes with a strong, tough and flexible ladder frame; a serious foundation for off-road performance. No point in messing with a classic design.



3-LINK RIGID AXLE SUSPENSION WITH COIL SPRING

Full-width axles can be found in both the front and rear, giving the all-new Jimny superior grip on diverse terrains. When an obstacle pushes one wheel up, the axle presses the other wheel down to increase tyre contact in rough road conditions.

ADVANCED

PERFORMANCE

GUARANTEED

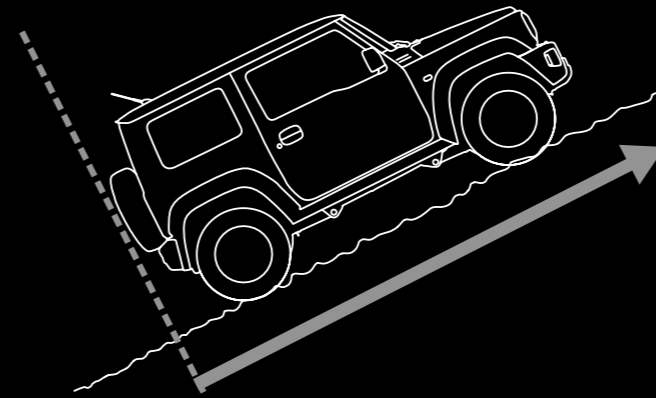


THE SPIRIT OF JIMNY, WITH THE TECHNOLOGY OF TODAY.

When it came to designing the all-new Jimny, we stuck to our classic 4x4 philosophy. But that doesn't mean our thinking is stuck in the past, because the all-new Jimny comes equipped with all the latest performance technology to ensure that your car is as capable as anything out there.

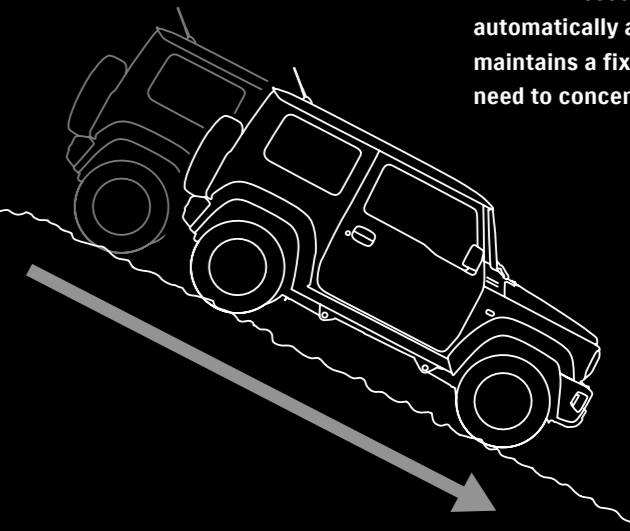
HILL HOLD CONTROL

Hold your ground when tackling steep slopes with Hill Hold Control. This feature prevents rearward rolling, even on the bumpiest of slopes.



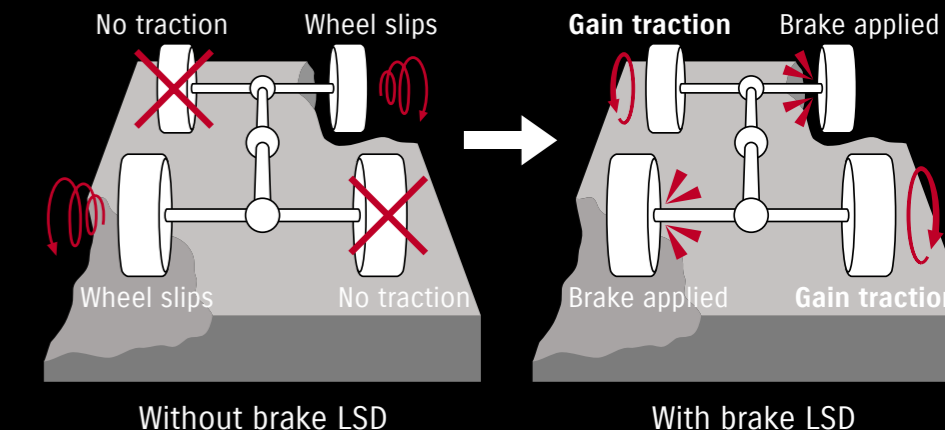
HILL DESCENT CONTROL

Feel more secure when going downhill with Hill Descent Control. This system automatically applies the brakes and maintains a fixed speed, so you only need to concentrate on steering.



NEW 1.5 LITRE ENGINE

To take on the elements, you need powerful performance, and this robust new 1.5 litre engine has got what it takes. It delivers strong torque throughout a wide RPM, whilst being small and lightweight enough to ensure high fuel efficiency.



BRAKE LIMITED SLIP DIFFERENTIAL TRACTION CONTROL

Tackle slick or slippery ground with confidence. If two wheels diagonal across from each other lose grip while on a slippery surface, this system will automatically brake the slipping wheels, applying torque to the two other wheels and ensuring the all-new Jimny remains as steady and capable as ever.

ROOM TO EXPLORE

PLENTY OF SPACE FOR EVERY ADVENTURE.

If you're getting ready to battle the off-road elements, or preparing to tackle a more urban environment, the all-new Jimny offers all the space you'll need, and a range of practical storage solutions. Have a look at all these thoughtfully designed features that'll have you ready to explore.



WIDE TAILGATE OPENING

This practical design offers maximum accessibility, with the wide opening allowing for the easy storage of larger items. So wherever adventure takes you, you'll always be better prepared.



AMPLE REAR SPACE

The rear storage area can be expanded with the help of rear folding seats, which fold completely flat to offer a generous 377 litres of boot space. The floor and seatbacks are resin-coated for the easy removal of dirt, and a rear electrical socket lets you power equipment behind the vehicle.



PRACTICAL INTERIOR TOUCHES

The all-new Jimny has an array of practical touches, including convenient pockets and trays for your phone, beverages and other items, and USB and accessory sockets to connect and power your devices.

SAFE AND SECURE



SAFETY. IT'S AT THE HEART OF EVERYTHING WE DO.

When you're driving a vehicle as capable as the all-new Jimny, it's only natural to want to take on the most challenging of conditions. So it's important to feel confident and safe behind the wheel. That's why

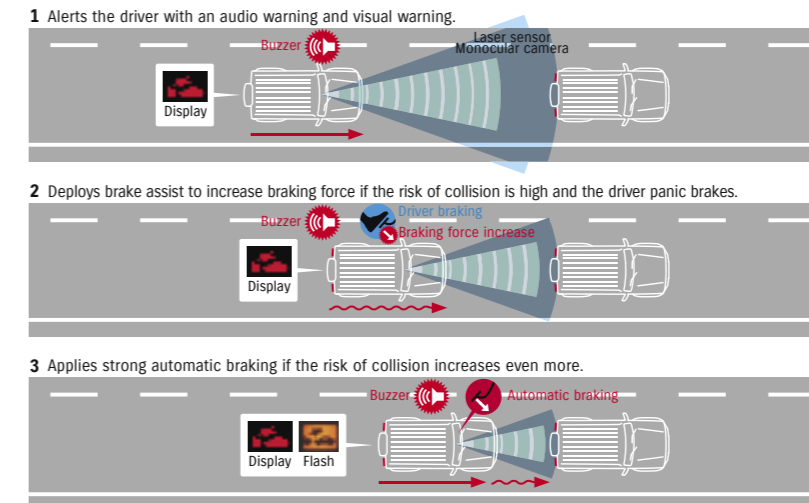
the all-new Jimny is equipped with some of the latest safety features to give you everything you need to feel more protected.

THE SCIENCE BEHIND THE SAFETY

DUAL SENSOR BRAKE SUPPORT

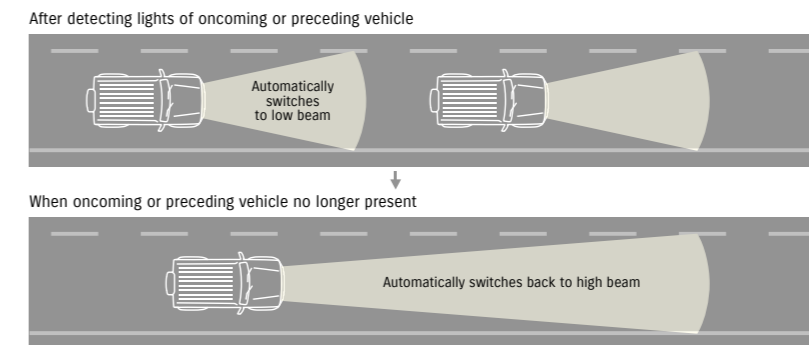
When moving, the all-new Jimny senses if there's a risk of forward collision. Upon detecting a potential collision, the vehicle acts to mitigate the impact, including automatically applying the brakes, if necessary.

1. Alerts the driver with an audio warning and visual warning.
2. Deploys Brake Assist to increase braking force if the risk of collision is high and the driver panic-brakes.
3. Applies strong automatic braking if the risk of collision increases even more.



HIGH BEAM ASSIST

This feature automatically switches the headlights between high and low beams depending on the lighting environment and presence of other vehicles. So you can enjoy safer and more relaxing night driving.



WEAVING ALERT

At 37mph or faster, Weaving Alert calculates the driving pattern and issues audio and visual warnings if the vehicle is weaving within a lane due to, for example, driver drowsiness.

LANE DEPARTURE WARNING

At 37mph or faster, the lane departure warning function can predict the path of the vehicle and issue warnings to the driver, if necessary, to help avoid straying out of a lane.

TRAFFIC SIGN RECOGNITION

This system monitors the road for traffic signs and when signs such as speed limits or no passing zones are detected, it displays the sign on the meter display as a reminder to the driver. When multiple signs are detected, a maximum of three signs can be displayed at once.

Note: There is a limit to the ability of the monocular camera and laser sensor to detect obstacles and lanes, and control the vehicle. Please do not rely on the system: always drive safely.

MAKE YOUR MARK

ADD A LITTLE COLOUR TO YOUR JOURNEY.

Want to give your all-new Jimny the personal touch? Then take a look at our stylish range of colours, and find a shade that's perfect for you.

Single tone colours



Superior White
Available on all models



Silky Silver Metallic
Available on all models



Blueish Black Pearl Metallic
Available on all models

Dual-tone colours



Chiffon Ivory Pearl Metallic with Blueish Black Pearl Metallic roof
Available on SZ5 models only



Brisk Blue Metallic with Blueish Black Pearl Metallic roof
Available on SZ5 models only



Kinetic Yellow with Blueish Black Pearl Metallic roof
Available on SZ5 models only

PREPARE FOR MORE

ENHANCE EVERY JOURNEY WITH OUR RANGE OF ACCESSORIES.

With the all-new Jimny, we want you to be ready to set out from the get go. But if you need a little extra protection, or if you want to give the all-new Jimny a few touches that will make it suitable for your own personal adventure, then our range of practical accessories gives you everything you need to do just that. Check out our full range at cars.suzuki.co.uk/jimny



THE JOURNEY TO THE JIMNY

IN 1970, SUZUKI LAUNCHED SOMETHING NEW.

A vehicle with the philosophy to take you places other cars couldn't in the past. A vehicle born with 4x4 spirit. A vehicle called the Suzuki LJ10.

It was an immediate success, because in a market dominated by large vehicles with high-displacement engines, this game changer was able to nimbly conquer terrains these other cars couldn't, thanks to its compact frame and 4-wheel Drive technology. And it was this car that formed the basis of what would become the Suzuki Jimny.

The Jimny quickly gained a cult following around the world;

a following that remains to this day, with fans eagerly awaiting news on the launch of every new model.

A lot has changed since the launch of our original Jimny, but the philosophy that inspired it – the philosophy to take you places no other car can – is still the starting point for every new generation of Jimny, including our all-new model, which is still being powered by our ALLGRIP technology. And with 50 years of engineering and evolution behind it, you can be sure that this 4x4 has got what it takes to carry you further than ever before.

FIND YOUR LOCAL DEALER TODAY AT
[CARS.SUZUKI.CO.UK/FIND-A-DEALER](https://cars.suzuki.co.uk/find-a-dealer)



Way of Life!



For more information
or to book a test drive, visit:
cars.suzuki.co.uk/jimny

THE SUZUKI JIMNY



The fuel consumption you achieve under real life driving conditions and CO₂ produced will depend upon a number of factors including the accessories fitted after registration, variations in driving styles, weather conditions and vehicle load. There is a new test used for fuel consumption and CO₂ figures. The CO₂ figure(s) shown, however, is based on the outgoing test cycle and will be used to calculate vehicle tax on first registration. Only compare fuel consumption and CO₂ figures with other cars tested to the same technical standard. Specifications shown have been achieved by production models under standard operating conditions. Data is intended to describe vehicles and their performance fairly, but may not apply to every vehicle. Colours, specifications and equipment may vary without notice. All details are correct at the time of going to print: December 2018. Vehicles shown throughout this brochure are for illustration only and may feature non-UK/ROI equipment. Suzuki GB PLC, Steinbeck Crescent, Snelshall West, Milton Keynes, Bucks MK4 4AE. Suzuki Information Service: 0800 804 8828 (UK) or 01 906 1862 (ROI) (calls may be recorded or monitored).

SPECIFICATION GUIDE

ADVENTURE AWAITS

The all-new Jimny is here and is more capable than ever before thanks to its ALLGRIP Pro 4-wheel Drive technology that delivers superb performance on every journey. It's great to drive. Awesome to look at. And it's ready for your next adventure. So which one will you choose?

SZ4

As standard with the SZ4:

- Selectable 4WD with low-ratio transfer
- Dual Sensor Brake Support (DSBS)
- Full size spare wheel with black covering disc
- Front foglamps
- Automatic headlights with high beam assist
- Cruise control
- Bluetooth® connectivity
- Air conditioning
- CD tuner
- 15" black steel wheels



SZ5

With the SZ5, you also get:

- 15" alloy wheels
- Body colour door handles
- Rear privacy glass
- LED headlights with washers
- Climate control
- Leather-covered steering wheel
- Satellite navigation
- Smartphone link
- Front heated seats



Bluetooth® is a registered trademark owned by Bluetooth SIG, Inc.



Front foglamps



15" black steel wheels



Selectable 4WD with low ratio transfer



LED headlights with washers



Satellite navigation



15" alloy wheels

EQUIPMENT



CATEGORY	DESCRIPTION	SZ4	SZ5
Safety	ALLGRIP Pro selectable 4WD with low ratio transfer gear	•	•
	ABS with Brake Assist function	•	•
	ESP® (Electronic Stability Program) *	•	•
	Driver & front passenger airbags	•	•
	Front passenger airbag deactivation system	•	•
	Side airbags (incorporated into front seats)	•	•
	Curtain airbags	•	•
	Front 3-point ELR seatbelts with pretensioners and force limiters	•	•
	Rear 3-point ELR seatbelts x 2 with pretensioners and force limiters	•	•
	Side impact protection beams	•	•
	Dual Sensor Brake Support	•	•
	Lane departure warning	•	•
	Emergency stop signal	•	•
	Hill hold control	•	•
	Hill descent control	•	•
	Tyre pressure monitoring system	•	•
	Full size spare wheel (mounted on tailgate with black covering disc)	•	•
Security	Immobiliser	•	•
	Security alarm	•	•
	Remote central door locking	•	•
	Locking wheel nuts	•	•
Comfort & convenience	Cruise control with speed limiter	•	•
	3-spoke leather-covered steering wheel	•	•
	Lights-on and key-in reminder	•	•
	Digital clock	•	•
	Fabric seat material	•	•
	Rear seat head restraint x 2	•	•
	Electric front windows with driver's side auto up/down	•	•
	Front cabin light	•	•
	Front sun visors	•	•
	Front sun visors with vanity mirrors and ticket holders	•	•
	Front passenger's side and rear x 2 assist grips	•	•
	12V accessory socket (centre console)	•	•
	12V accessory socket (luggage area)	•	•
Manual air conditioning	•	•	
Automatic air conditioning	•	•	

*ESP® is a registered trademark of Daimler AG.

CATEGORY	DESCRIPTION	SZ4	SZ5
Heating & visibility	Halogen multi-reflector headlamps	•	•
	LED projector headlamps (low and high beam)		•
	Automatic headlamps	•	•
	Headlamp washers		•
	High Beam Assist	•	•
	Daytime running lights	•	•
	Front foglamps	•	•
	Front wiper with intermittent + washer	•	•
	Rear wiper + washer	•	•
	Electrically adjustable door mirrors	•	•
	Heated door mirrors		•
	Heated driver's and front passenger's seats		•
	Storage	Centre console cup holder	•
Rear seat with 50:50 split folding		•	•
Boot luggage box			•
Entertainment & communication	MP3 compatible CD player	•	•
	DAB digital radio	•	•
	Bluetooth® integrated into audio unit	•	•
	USB connector	•	•
	Navigation system		•
	Smartphone link display		•
	2 x speakers	•	•
	Steering wheel audio controls	•	•
Styling	15" alloy wheels		•
	15" steel wheels	•	
	Black wheel arch mouldings	•	•
	Black exterior door handles	•	•
	Body colour exterior door handles		•
	Black exterior door mirrors	•	•
	Black painted exterior door mirrors		•
	Rear privacy glass		•
	Chrome interior door handles	•	•

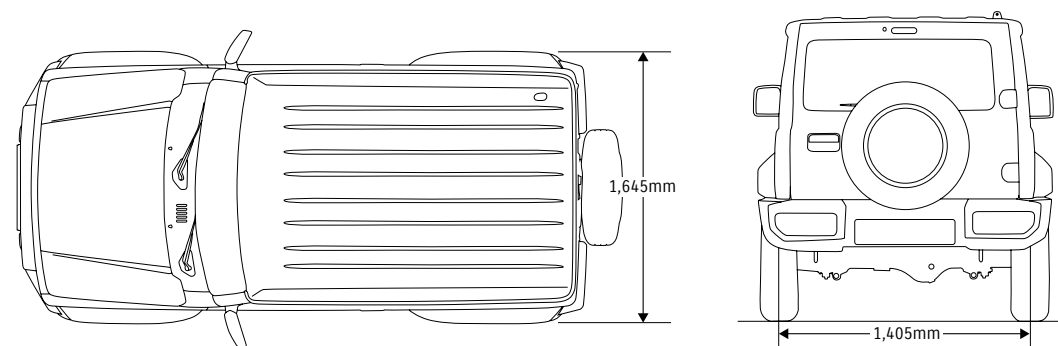
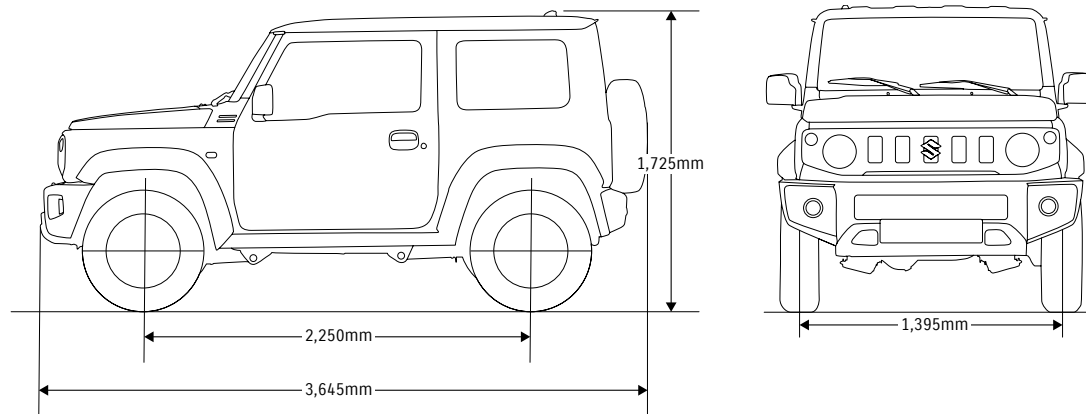
Bluetooth® is a registered trademark owned by Bluetooth SIG, Inc.



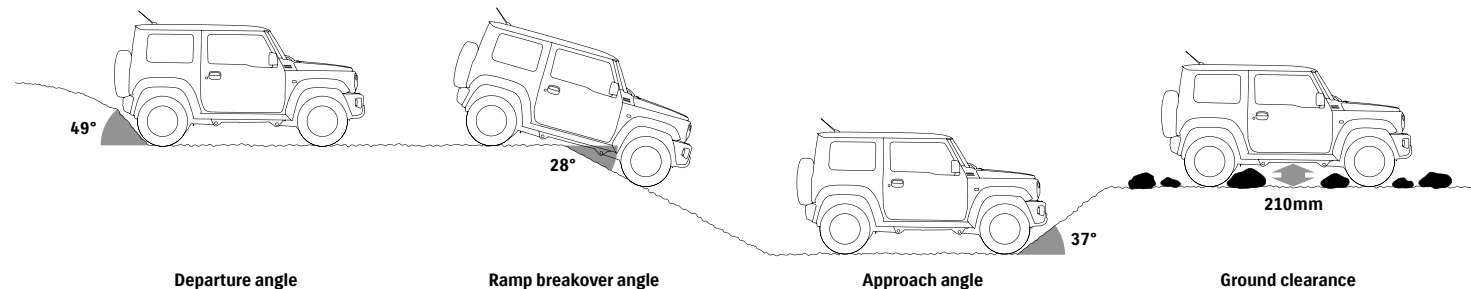
TECHNICAL SPECIFICATIONS

MODEL		1.5 PETROL MANUAL	1.5 PETROL AUTOMATIC	
AVAILABLE GRADES		SZ4, SZ5	SZ5	
Engine	Type	K15B		
	Number of cylinders	4		
	Number of valves	16		
	Piston displacement	1,462 cm ³		
	Maximum output	101 (75) / 6,000 PS (kW) / rpm		
	Maximum torque	130 (95) / 4,000 Nm (lbf) / rpm		
	Fuel distribution	Multipoint injection		
	EU emission standard	Euro 6		
Transmission	Type	5-speed manual	4-speed automatic	
	Gear ratio	1st	4.425	2.875
		2nd	2.304	1.568
		3rd	1.674	1.000
		4th	1.190	0.697
		5th	1.000	-
	Reverse	5.151	2.300	
	Final gear ratio	4.090	4.300	
Transfer gear ratio	High	1.000	1.320	
	Low	2.002	2.644	
Weights & dimensions	Tyres	195/80R15		
	Overall length to rear bumper	mm	3,480	
	Overall length to spare wheel cover	mm	3,645	
	Overall width	mm	1,645	
	Overall height	mm	1,725	
	Wheelbase	mm	2,250	
	Minimum turning circle	m	9.8	
	Seating capacity	persons	4	
	Luggage capacity (maximum volume)	litres	830	
	Luggage capacity (seatback folded, VDA)	litres	377	
	Luggage capacity (seatback raised, VDA)	litres	85	
	Kerb weight inc. full options	kg	1,135	
	Gross vehicle weight	kg	1,435	
	Max towing weight (braked)	kg	1,300	
	Max towing weight (un-braked)	kg	350	
Performance & economy	Maximum speed	mph / km/h	90 / 145	
	Fuel tank capacity	litres	40	
	CO ₂ emissions (NEDC)	g/km	154	
	CO ₂ emissions (WLTP)	g/km	178	
	Fuel consumption (WLTP)	Low	mpg (L/100km)	34.3 (8.2)
		Medium	mpg (L/100km)	42.0 (6.7)
		High	mpg (L/100km)	40.8 (6.9)
		Extra High	mpg (L/100km)	30.5 (9.3)
Combined		mpg (L/100km)	35.8 (7.9)	
			28.3 (10.0)	

JIMNY EXTERIOR DIMENSIONS



BODY ANGLES AND GROUND CLEARANCE



Fuel economy and CO₂* results for the Suzuki Jimny range in mpg (L/100km): Combined 32.1 (8.8) to 35.8 (7.9). CO₂ emissions: 170 to 154g/km. The fuel consumption you achieve in real life conditions and CO₂ produced will depend upon a number of factors including the accessories fitted (post-registration), variations in weather, driving styles and vehicle load.* There is a new test used for fuel consumption and CO₂ figures. The CO₂ figure(s) shown however, is based on the outgoing test cycle and will be used to calculate vehicle tax on first registration.

Only compare fuel consumption and CO₂ figures with other cars tested to the same technical standard.

THE SUZUKI SERVICE PROMISE

At Suzuki, we're proud of the cars we build. We're proud of the quality, we're proud of their value for money, and we're proud that our customers continue to enjoy driving them long after they've bought one. That's why we recommend getting your Suzuki serviced regularly. This helps your car to continue to run smoothly, minimises future problems and protects its residual value. And who better to service your car than Suzuki Trained Technicians. They aim to give you the best possible service when you visit their Suzuki Service Centre. It's all part of the Suzuki Service Promise.

WARRANTY

Every Suzuki in the range comes with a comprehensive three-year or 60,000 miles/100,000 km warranty (whichever comes first) and a 12-year anti-perforation warranty.

ROADSIDE ASSISTANCE

Need assistance? Well we're always around if you need any kind of roadside help. New cars come with Suzuki Assistance cover, which includes 24-hour roadside assistance, home start and recovery through the Republic of Ireland, UK and Europe. So no need to worry, because when you're with us, you're covered.

MOTUL OIL

When it comes to recommending the oil for your Suzuki, there's really only one choice - Motul. You can find out more information here: cars.suzuki.co.uk/owners/servicing-your-suzuki

TALK TO US

Fancy a chat? Well, more specifically, a chat about anything Suzuki? The team at our Suzuki Information Service are happy to answer any questions you might have about your Suzuki. From the product range to services for drivers, they can fill you in on just about everything. Simply call 0800 804 8828 for UK residents. Alternatively, you can write to us at Suzuki GB PLC, Steinbeck Crescent, Snelshall West, Milton Keynes, Bucks MK4 4AE.



WHAT ARE THE OPTIONS?

FINANCE THAT FITS

Once you've found the Suzuki for you, you'll want an ideal finance package to go with it.

1. Personal Contract Purchase

Great for those who want flexibility: once you've chosen your repayment period, deposit and annual mileage, you'll be advised of your regular monthly repayments and optional final repayment. Once you've paid all your regular monthly repayments, you have three options - you can pay the optional final repayment to own the car, trade it in* or return it (return conditions apply)**.

2. Hire Purchase

Great for those wanting to own the vehicle: once you've chosen your repayment period and deposit, you'll be advised of the regular monthly repayments. Once all the repayments have been paid, you'll own the car.

WHAT'S THE DIFFERENCE?

	HIRE PURCHASE	PERSONAL CONTRACT PURCHASE
Deposit required	Flexible deposit options - 0% deposit may be available, subject to status	Flexible deposit options - 0% deposit may be available, subject to status
Maximum age of the car at the end of the agreement	14 years old	7 years old
Length of the agreement	12-60 months	25-49 months
What happens once you've paid all your regular monthly repayments?	You're the legal owner of the car and the finance agreement has ended	You have three options to choose from: 1. Part exchange the car* 2. Pay the optional final repayment to own the car 3. Return the car (return conditions apply)**
Fixed payments	Yes	Yes
Mileage restrictions	No	Yes - you set a maximum agreed mileage. Excess mileage charges will apply if you intend to hand the car back at the end of the agreement and have exceeded the maximum agreed mileage
Optional final payment at end of agreement	No	Yes

WHAT'S NEXT?

For more information or help finding the right package for you, pop into your local Dealer or visit cars.suzuki.co.uk/suzuki-finance

*Part Exchange: At any time, you can part exchange the car subject to obtaining a settlement figure and settling your agreement. New finance agreements are subject to status.

**You have the option once you've paid all your regular monthly repayments to return the car and not pay the optional final repayment. If the car is in good condition (fair wear and tear accepted) and has not exceeded the maximum agreed mileage, you will have nothing further to pay. If the car has exceeded the maximum agreed mileage, a charge for excess mileage will apply. Credit is available to UK residents aged 18 or over, subject to status. Suzuki Finance is a trading style of Suzuki Financial Services Limited, St William House, Tresillian Terrace, Cardiff CF10 5BH. Suzuki Financial Services Limited is part of Lloyds Banking Group.

GET IT COVERED WITH SUZUKI INSURANCE

When you buy your Suzuki, you can sign up to Free Driveaway Insurance*. And if you're happy, you can update to annual cover. Just call **0330 018 3455** to find out more.

Check out all the benefits you'll get with us:

- Courtesy car
- EU cover
- Windscreen damage cover
- 24/7 accident recovery
- UK call centres
- Child seat replacement cover
- Personal injury cover
- A brand-new Suzuki if yours is written-off or stolen within 12 months of its new registration
- Access to Suzuki Approved Body & Paint Centre

Unlike other insurers, we guarantee that any repairs will be carried out by Suzuki Trained Technicians using only Suzuki Genuine Parts.

To get a quote or find out more, call **0330 018 3455** or visit cars.suzuki.co.uk/new-cars/insurance



*Terms and conditions apply. The offer of insurance is subject to eligibility and underwriting criteria. All cover is subject to the terms and conditions of the policy, see the Policy Document at www.suzukicarinsurance.co.uk/docs. Suzuki Insurance is arranged and administered by Verex Insurance Services Ltd, which is registered in England and Wales No. 05686831 at Batchworth House, Church Street, Rickmansworth Herts WD3 1JE and authorised and regulated by the Financial Conduct Authority, No. 487185. Verex Insurance Services Ltd arranges policies from a panel of insurers, details are available on request. To understand how we may process your information read our Fair Use Notice at www.suzukicarinsurance.co.uk/FairUseNotice

