

THE SUZUKI

# JIMNY



LIGHT COMMERCIAL VEHICLE



# WELCOME TO GOOD DIFFERENT

**SUZUKI. JUST STRAIGHT-UP, GREAT DRIVING.  
SINCE 1955, WE'VE BUILT CARS WITH PERSONALITY  
THAT ARE PROUDLY DIFFERENT.**

At Suzuki, we do things a little differently, by offering great tech, amazing specs, and superb value. That's why every car in our range comes jam-packed with clever features and completely jargon-free. From small, fun runarounds all the way up to bold, head-turning SUVs with ALLGRIP 4-wheel drive\*, there's no hidden add-ons or unwanted surprises. See? Good Different.

We also know that car ownership doesn't stop at the car – it's about having a friendly, dedicated team you can rely on when you need them. Up and down the country, we have a brilliant network of dealers here to make the difference.

Test drive a Suzuki and experience our impressive blend of performance, dependability and safety features. Ready for something a little different? Come and get behind the wheel.

**SUZUKI. GOOD DIFFERENT.**

\*Available as an optional extra on selected models.



**Jimny**



**Vitara**



**S-Cross**



**ACROSS**



**Swace**



**Swift Sport**



**Swift**



**Ignis**



**IT WASN'T**

**BUILT TO**

**FOLLOW**



## **DISCOVER NEW FRONTIERS WITH THE JIMNY**

With over 50 years' of experience, engineering and refining behind it, the Jimny is more capable than ever before. We've stuck to our classic Jimny concept, so the iconic 4x4 remains compact, lightweight, and capable of tackling the toughest terrains, as well as stepping up as a light commercial vehicle.

This standout mini SUV comes equipped with ALLGRIP Pro 4-wheel drive technology, a powerful 1.5 litre engine and a chassis which has been specially designed for superb off-road capability. The large, flat luggage area is just the answer for when you need to pack it all in for your next adventure. Plus, several expertly-engineered practical touches, including high ground clearance, ample interior space and a wide tailgate opening, mean it's more than a match for your busy week on the road. Safety features like eCall and Dual Sensor Brake Support allow you to drive with peace of mind and always feel confident when you're behind the wheel.

So, if you want to go places most other 4x4s fear to tread, or drive a vehicle that's got your back in the working week, get behind the wheel of the Jimny.

# ADVENTURE

## NEVER LOOKED SO GOOD



**THE JIMNY HAS BEEN CRAFTED FOR ADVENTURE, INSIDE AND OUT.**

That's why it's been designed with a range of practical features to help you take on whatever challenges nature has to offer. So whatever the weather, whatever the conditions, the Jimny has what it takes to tackle them.



### FLAT AND SQUARE BONNET FOR EXCELLENT VISIBILITY

The Jimny Light Commercial Vehicle has been designed with a flat and square bonnet, which lets you keep the front corners in view, offering excellent visibility whether on rough terrain, motorways or tight country roads. So, you'll always be on top of your surroundings.



### OPTIMISED BODY DESIGN

The optimised, cutaway bumpers offer outstanding ground clearance at the wheel, ensuring more grip when climbing over obstacles, with moulded black guards protecting the body from stone chips and scratches.

### COMPACT DESIGN

With its compact dimensions, the Jimny is small enough to take you places other larger 4x4s can't. Plus it's really light, which helps it get over tough terrain.



# PRACTICALLY PERFECT

## DESIGNED TO HELP YOU DO THE JOB.

Step inside the Jimny Light Commercial Vehicle and you'll discover a range of features to help you stay focused on tackling off-road conditions as well as keeping out in front on busy city streets.

Cruise control with speed limiter keeps everything in check, so you'll feel safe and comfortable for longer, more demanding journeys. Plus, the meters are always illuminated for clear viewing, night and day. Jimny more than holds its own in the entertainment stakes too. The MP3 compatible CD player and DAB digital radio with Bluetooth integration, all controlled from the steering wheel ensure you never miss a beat on any journey. As you can see, we've done everything to ensure you get the job done perfectly and you enjoy your drive.

- 1 Ride-in assist grip
- 2 Scratch/stain-resistant instrument panel
- 3 Air conditioning
- 4 Intuitively designed controls
- 5 Vertically adjustable steering wheel
- 6 Illuminated meter cluster



# TACKLE

# TOUGH

# TERRAIN

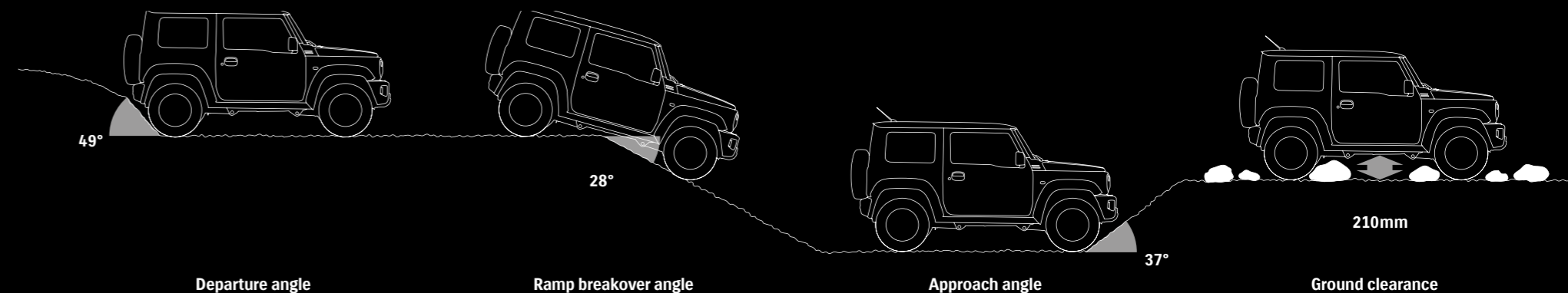
## THE CAPABILITY OF THE JIMNY STILL SHINES THROUGH.

There's a reason why, for over 50 years, the popularity of the Jimny has grown and grown. And that's because when people think of the Jimny, they think 'capable', they think 'groundbreaking', and they think 'ready to handle all conditions'.

The Jimny Commercial is no different, sticking to the rugged 4x4 principles that inspired the first model. But don't just take our word for it - have a look at what goes into the Jimny, so you can see what you can get out of it.

### AMPLE BODY ANGLES AND CLEARANCE

We don't believe in barriers. Which is why we've designed the Jimny with plenty of ground clearance and angles to help you overcome anything in your way. An ample departure angle, ramp breakover angle, approach angle and ground clearance lets you tackle steep slopes, sharp descents and obstacles without scraping the bumpers or underbody of your Jimny.



### ALLGRIP PRO 4WD WITH LOW RANGE TRANSFER GEAR

The Jimny can adapt to difficult conditions at the shift of the transfer lever, thanks to our ALLGRIP Pro 4-wheel drive technology. When conditions get tough, switch to 4L mode for maximum torque control and traction. 4H mode lets you enjoy traction at higher speeds, for snowy and flatter off-road terrains. And the 2H mode lets you switch to a smoother, quieter and more fuel-efficient ride for paved roads. See - ready for anything.



### TOUGH LADDER FRAME CHASSIS

As ever, the Jimny still comes with a strong, tough and flexible ladder frame chassis; a serious foundation for off-road performance. No point in messing with a classic design.

# ADVANCED

# PERFORMANCE

# GUARANTEED

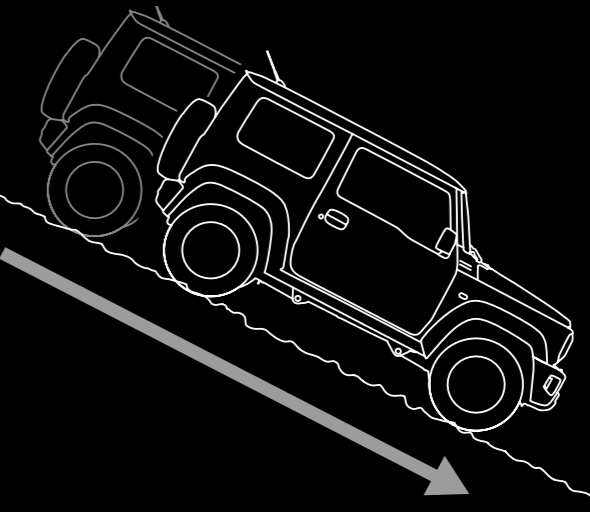
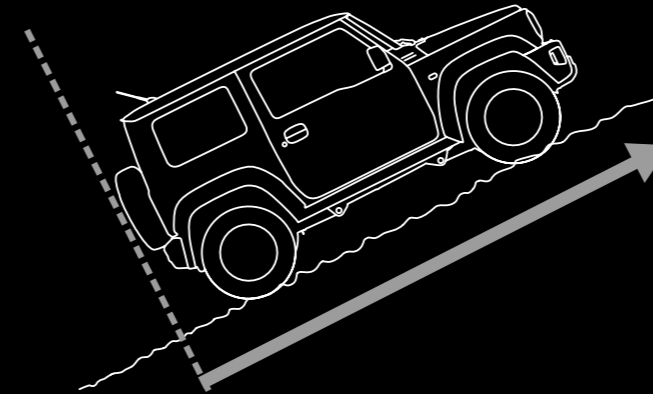


**THE SPIRIT OF JIMNY, WITH  
THE TECHNOLOGY OF TODAY.**

When it came to designing the Jimny, we stuck to our classic 4x4 philosophy. But that doesn't mean our thinking is stuck in the past, because the Jimny comes equipped with advanced technology features, offering unrivaled performance and capability.

## HILL HOLD CONTROL

Hold your ground when tackling steep slopes with Hill Hold Control. This feature prevents rearward rolling, even on the bumpiest of slopes.



## HILL DESCENT CONTROL

Feel more secure when going downhill with Hill Descent Control. This system automatically applies the brakes and maintains a fixed speed, so you only need to concentrate on steering.

## 1.5 LITRE ENGINE

To take on the elements, you need powerful performance, and this robust 1.5 litre engine has got what it takes. It delivers strong torque output, whilst being small and lightweight enough to ensure high fuel efficiency.



# ROOM TO EXPLORE

## PLENTY OF SPACE FOR EVERY ADVENTURE.

If you're getting ready to battle the off-road elements, or preparing to tackle a more urban environment, the Jimny offers all the space you'll need, and a range of practical storage solutions. The cargo partition grid between front seats and luggage area is a big plus for excess luggage and ensures the things that matter to you on any journey are safely and securely stowed. Have a look at all these clever storage solutions that'll have you ready to explore.



## WIDE TAILGATE OPENING

This practical design offers maximum accessibility, with the wide opening allowing for the easy storage of larger items. So wherever adventure takes you, you'll always be prepared.



## PRACTICAL INTERIOR TOUCHES

The Jimny Light Commercial Vehicle has an array of handy practical touches, including convenient pockets and trays for your beverages and other items, as well as USB and accessory sockets to connect and power your devices on those long commutes or weekend getaways.



# SAFE AND SECURE

## SAFETY. IT'S AT THE HEART OF EVERYTHING WE DO.

When you're driving a vehicle as capable as the Jimny, it's only natural to want to take on the most challenging of conditions. So it's important to feel confident and safe behind the wheel. That's why the Jimny is equipped with a variety of safety features so you can drive with peace of mind.

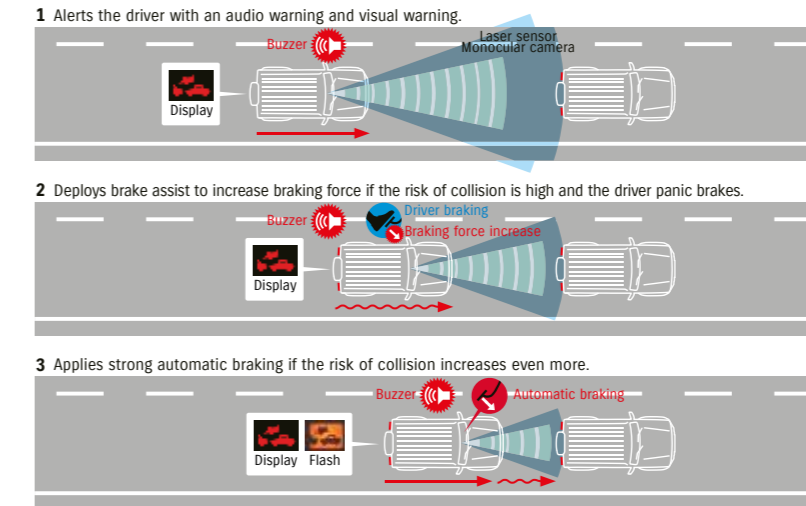


# THE SCIENCE BEHIND THE SAFETY

## DUAL SENSOR BRAKE SUPPORT

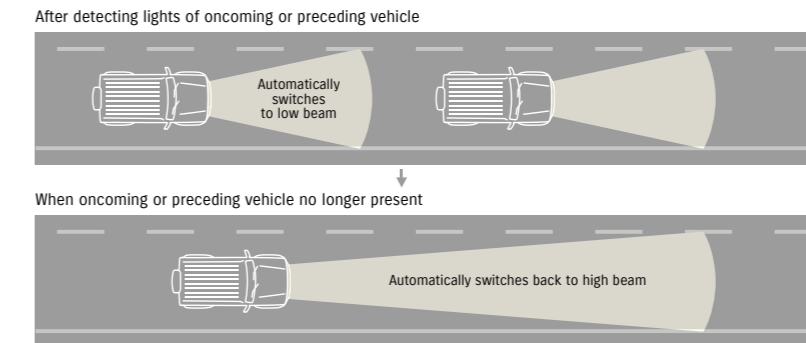
When moving, the Jimny senses if there's a risk of forward collision. Upon detecting a potential collision, the vehicle acts to mitigate the impact, including automatically applying the brakes, if necessary.

1. Alerts the driver with an audio warning and visual warning.
2. Deploys Brake Assist to increase braking force if the risk of collision is high and the driver panic-brakes.
3. Applies strong automatic braking if the risk of collision increases even more.



## HIGH BEAM ASSIST

This feature automatically switches the headlights between high and low beams depending on the lighting environment and presence of other vehicles. So you can enjoy safer and more relaxing nighttime driving.



## eCall

If the vehicle is involved in a traffic accident, eCall is designed to automatically alert emergency services with a phone message that includes the precise vehicle location.

## FULL SIZE SPARE WHEEL (MOUNTED ON TAILGATE WITH HALF COVERING BLACK DISC)

The Jimny Light Commercial Vehicle comes with a full-size spare wheel, mounted on the tailgate. Positioned in a half covering black disc for easy access, so you can get quickly back on with your journey.

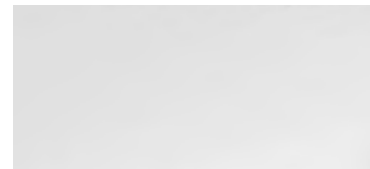
Note: There is a limit to the ability of the monocular camera and laser sensor to detect obstacles and lanes, and control the vehicle. Please do not rely on the system: always drive safely.

# MAKE YOUR MARK

## DISCOVER A SHADE TO SUIT YOUR ADVENTURE.

The Jimny comes in five shades to suit its uncompromising style. There's White, Silky Silver Metallic or Blueish Black Pearl Metallic – plus, two striking dual-tones. Whatever the colour, you'll be turning heads for sure in the Jimny.

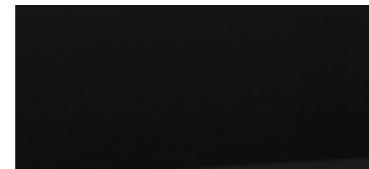
### Single tone colours



White



Silky Silver Metallic



Blueish Black Pearl Metallic

### Dual-tone colours



Chiffon Ivory Pearl Metallic with Blueish Black Pearl Metallic roof



Brisk Blue Metallic with Blueish Black Pearl Metallic roof



Kinetic Yellow with Blueish Black Pearl Metallic roof

# PREPARE FOR MORE

## ENHANCE EVERY JOURNEY WITH OUR RANGE OF ACCESSORIES.

With the Jimny, we want you to be ready to set out from the get go. But if you need a little extra protection, or if you want to give the Jimny a few touches that will make it suitable for your own personal adventure, then our range of practical accessories gives you everything you need to do just that. Speak to your local dealer for your latest accessory list.



# EQUIPMENT

CATEGORY	DESCRIPTION	LIGHT COMMERCIAL
<b>Safety</b>	ALLGRIP Pro selectable 4WD with low ratio transfer gear	•
	ABS with Brake Assist function	•
	ESP® (Electronic Stability Program)*	•
	Driver & front passenger airbags	•
	Front passenger airbag deactivation system	•
	Front 3-point ELR seatbelts with pretensioners and force limiters	•
	Side impact protection beams	•
	Dual Sensor Brake Support	•
	Emergency Stop Signal	•
	Hill hold control	•
	Hill Descent Control	•
	Tyre pressure monitoring system	•
	eCall	•
	Full size spare wheel (mounted on tailgate with half covering black disc)	•
<b>Security</b>	Immobiliser	•
	Security alarm	•
	Remote central door locking	•

CATEGORY	DESCRIPTION	LIGHT COMMERCIAL
<b>Comfort &amp; Convenience</b>	Cruise control with speed limiter	•
	Lights-on and key-in reminder	•
	Digital clock	•
	Fabric seat material	•
	Electric front windows with driver's side auto up/down	•
	Front cabin light	•
	Rear cabin light	•
	Front sun visors	•
	Front assist grips	•
	12V accessory socket (centre console)	•
	12V accessory socket (luggage area)	•
	Manual air conditioning	•

CATEGORY	DESCRIPTION	LIGHT COMMERCIAL
<b>Heating &amp; Visibility</b>	Halogen multi-reflector headlamps	•
	Automatic headlamps	•
	Manual headlamp levelling	•
	High Beam Assist	•
	Daytime running lights - standard	•
	Front fog lamps	•
	Rear fog lamps	•
	License plate lamp	•
	Front wiper with intermittent + washer	•
	Rear wiper + washer	•
	Electrically adjustable door mirrors	•
<b>Storage</b>	Centre console cup holder	•
	Emergency back door release lever	•
	Cargo partition grid	•

CATEGORY	DESCRIPTION	LIGHT COMMERCIAL
<b>Entertainment &amp; Communication</b>	MP3 compatible CD player	•
	DAB digital radio	•
	Bluetooth integrated into audio unit	•
	USB connector	•
	2 x speakers	•
	Steering wheel audio controls	•
<b>Styling</b>	15" steel wheels	•
	Black wheel arch mouldings	•
	Black exterior door handles	•
	Black exterior door mirrors	•
	Chrome interior door handles	•

\*ESP® is a registered trademark of Daimler AG.

Bluetooth® is a registered trademark owned by Bluetooth SIG, Inc.

# TECHNICAL SPECIFICATIONS

	MODEL	1.5 LIGHT COMMERCIAL MANUAL
<b>Engine</b>	Type	K15B
	Number of cylinders	4
	Number of valves	16
	Piston displacement	cm <sup>3</sup> 1462
	Maximum output	PS (kW) / rpm 101 (75) / 6,000
	Maximum torque	Nm (lbft) / rpm 130 (95) / 4,000
	Fuel distribution	Multipoint injection
	EU emission standard	Euro 6

	MODEL	1.5 LIGHT COMMERCIAL MANUAL	
<b>Transmission</b>	Type	5-speed manual	
	Gear ratio	1st	4.425
		2nd	2.304
		3rd	1.674
		4th	1.190
		5th	1.000
	Reverse	5.151	
	Final gear ratio	4.090	
Transfer gear ratio	High	1.000	
	Low	2.002	

	MODEL	1.5 LIGHT COMMERCIAL MANUAL
<b>Weights &amp; Dimensions</b>	Tyres	195/80R15
	Overall length to rear bumper	mm 3,480
	Overall length to spare wheel cover	mm 3,645
	Overall width	mm 1,645
	Overall height	mm 1,720
	Wheelbase	mm 2,250
	Minimum turning circle	m 9.8
	Ground clearance	mm 210
	Approach angle	degrees 37
	Ramp breakover angle	degrees 28
	Departure angle	degrees 49
	Seating capacity	persons 2
	Luggage capacity (maximum volume)	litres 863
	Kerb weight inc full options	kg 1,090
	Gross vehicle weight	kg 1,435
	Max towing weight (braked)	kg 1,300
	Max towing weight (un-braked)	kg 350

	MODEL	1.5 LIGHT COMMERCIAL MANUAL	
<b>Performance &amp; Economy</b>	Maximum speed	mph / km/h 90 / 145	
	Fuel tank capacity	litres 40	
	CO <sub>2</sub> emissions (WLTP)	mpg (l/100km) 173	
	Fuel Consumption (WLTP)	Low	mpg (l/100km) 34.7 (8.2)
		Medium	mpg (l/100km) 42.1 (6.8)
		High	mpg (l/100km) 41.6 (6.8)
Extra High		mpg (l/100km) 31.9 (8.9)	
Combined	mpg (l/100km) 36.7 (7.7)		

# THE JOURNEY TO THE JIMNY



## IN 1970, SUZUKI LAUNCHED SOMETHING NEW.

A vehicle with the philosophy to take you places other cars couldn't in the past. A vehicle born with 4x4 spirit. A vehicle called the Suzuki LJ10.

It was an immediate success, because in a market dominated by large vehicles with high-displacement engines, this game changer was able to nimbly conquer terrains these other cars couldn't, thanks to its compact frame and 4-wheel Drive technology. And it was this car that formed the basis of what would become the Suzuki Jimny Light Commercial Vehicle.

The Jimny quickly gained a cult following around the world; a following that remains to this day, with fans eagerly awaiting news on the launch of every new model.

A lot has changed since the launch of our original Jimny, but the philosophy that inspired it – the philosophy to take you places no other car can – is still the starting point for every new generation of Jimny, including our all-new model, which is still being powered by our ALLGRIP technology. With over 50 years of engineering and evolution behind it, you can be sure that this 4x4 has got what it takes to carry you further than ever before. This is an exciting step forward for the Jimny as a light commercial vehicle, join us and seek out your next adventure.



For more information, visit:  
[cars.suzuki.co.uk/new-cars/jimny/](https://cars.suzuki.co.uk/new-cars/jimny/)

**Fuel economy and CO<sub>2</sub> results for the Suzuki Jimny. Mpg (l/100km) (combined): 36.7 (7.7). CO<sub>2</sub> emissions: 173 g/km.** Figures shown are for comparability purposes; only compare fuel consumption and CO<sub>2</sub> figures with other cars tested to the same technical procedures. These figures may not reflect real life driving results, which will depend upon a number of factors including the accessories fitted (post-registration), variations in weather, driving styles and vehicle load. Specifications and equipment vary depending on engine, transmission and model grade. Please contact your local Suzuki Dealer for full details. All details correct at time of broadcast - June 2022. Vehicles shown throughout this brochure are for illustration only and may feature non-UK/ROI equipment.  
Suzuki GB PLC, Steinbeck Crescent, Snelshall West, Milton Keynes, Bucks MK4 4AE. Suzuki Customer Services 08085 011959 (UK) or 01 619 3671 (ROI). Calls may be recorded or monitored.